

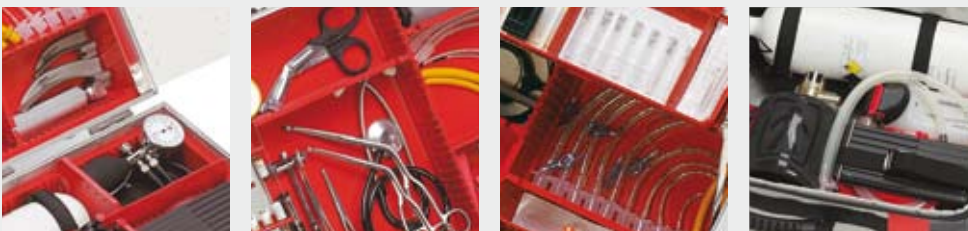


# Transport Containers

## *Sturdy and organized.*

With its emergency system ULM CASE, Weinmann has been the innovative trailblazer in modern emergency medicine for more than 30 years. Yesterday and today, the goal is to stabilize the patient at the scene of an emergency before transporting him to the hospital. The medical material needed to do that has to be both transportable and highly organized for use in a rescue vehicle. Weinmann's emergency system ULM CASE fulfills these requirements with its rugged construction, durability and the intelligent design of interior compartments organized into functional units.

The emergency backpacks RESCUE-PACK and RESCUE-PACK I also meet those demands and ideally combine the advantages of an emergency case concept with the requirements for ergonomic carrying on the rescue worker's back.



Certified Quality  
Management System  
meeting EC directive 93/42/EEC,  
Annex II (EN ISO 9001:2000/EN ISO 13485)



## ULM CASE – The Classic

Highly organized at your fingertips – the ULM CASE with its semi-variable interior compartments has been on the scene for decades. The three classic ULM CASE products offer a wide range of compartment divisions for practically

any requirement. Its versatility, combined with its unmatched ruggedness and durability, make the ULM CASE indispensable in an emergency.

ULM CASE I



WM 8840

ULM CASE II



WM 8730

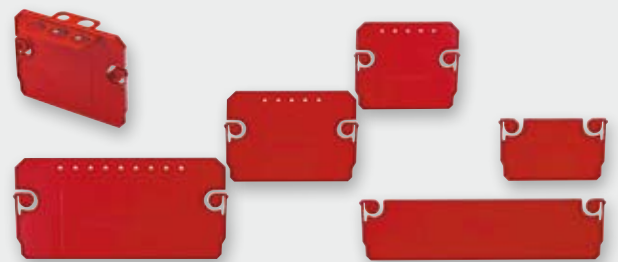
ULM CASE III



WM 8830



Everything in its place! SpaceChips keep everything organized and ready for use.



## THREE SIZES – One System



ULM CASE I

ULM CASE II

ULM CASE III

## ULM CASE – Special cases

For that special case, whether it's ULM CASE Baby, the DIN 14142-compatible bandage case, ULM CASE Basis or the PARAMEDIC-BOX, the 18.5-cm wide ULM CASE reliably does its job, everywhere and every time. Our customers appreciate the versatility of the smallest of our

ULM CASE product line. Like the ULM CASE Baby, the small case can be equipped for special purposes or its interior compartments can be rearranged for use as the PARAMEDIC-BOX.



## RESCUE-PACK – Emergency backpack

Long and difficult stretches of road? Big gatherings of people? At high altitudes or for water rescue? – Weinmann's RESCUE-PACK emergency backpack is ideal for an emergency that's anything but routine. The RESCUE-PACK successfully combines the advantages of

a conventional emergency case with the benefits of a backpack. There's no need to open the main compartment of the backpack. Just open the front two flaps for fast and efficient access to the things you need right away.



Technical data for the transport containers are on Page E16.



### Alternative

basic equipment, Standard also available in:

ULM CASE II	WM 8720
ULM CASE III	WM 8820
RESCUE PACK	WM 9010

Refer to the price list for equipment variations.



## Basic Equipment, Standard

**ULM CASE I with basic equipment\*, Standard WM 5250**

**Supply Schedule:**

- ULM CASE I (WM 8840)
- Set of Standard labels (WM 15505)
- Ampoule strips with space for 10 ampoules (WM 15587)
- Oxygen device (WM 3675)
- Belts for O<sub>2</sub> cylinders, 2 pieces (WM15141)
- COMBIBAG Resuscitator for adults and children (WM 11000)
- Oxygen reservoir for COMBIBAG (WM 11052)
- Set of ventilation masks, with inflatable mask seal of silicone (WM 15481)
- Set of Rendell-Baker ventilation masks, silicone (WM 15482)
- MANUVAC suction pump (WM 10800)
- Disposable materials (WM 15483, WM 15484 and WM 15051) see page E11



### Alternative

complete equipment, Standard also available in:

ULM CASE I	WM 5308
ULM CASE III	WM 8825
RESCUE PACK	WM 9020

Refer to the price list for equipment variations.



## Complete Equipment, Standard

**ULM CASE II with complete equipment\*, Standard WM 8725**

**Supply Schedule:**

- ULM CASE II (WM 8730)
- Set of Standard labels (WM 15505)
- Set of three (3) ampoule strips, each with space for 11 ampoules (WM 15157)
- Oxygen device (WM 3607)
- Belts for O<sub>2</sub> cylinders, 2 pieces, (WM15141)
- COMBIBAG Resuscitator for adults and children (WM 11000)
- Oxygen reservoir for COMBIBAG (WM 11052)
- Set of ventilation masks, with inflatable mask seal of silicone (WM 15481)
- Set of Rendell-Baker ventilation masks, silicone (WM 15482)
- MANUVAC suction pump (WM 10800)
- Set of small medical products (WM 15485)
- Laryngoscope, metal, with two McIntosh tongue depressors (Sizes 1 and 3), with batteries (WM 5105)
- Sphygmomanometer (WM 5206)
- Stethoscope (WM 5207)
- Pressure infusion device with gauge (WM 5201)
- Disposable materials (WM 15483, WM 15484, WM 15051, WM 15075 and WM 15486) see page E11

\* Equipment does not include medicines and disinfectants.

## Basic Equipment, Respiration and oxygen dosage

ULM CASE I with basic equipment\*, Respiration with oxygen dosage

WM 8620

### Supply Schedule:

- ULM CASE I (WM 8840)
- Set of Respiration labels (WM 15515)
- Oxygen device (WM 3606)
- Belts for O<sub>2</sub> cylinders, 2 pieces (WM15141)
- COMBIBAG Resuscitator for adults and children (WM 11000)
- Oxygen reservoir for COMBIBAG (WM 11052)
- Set of ventilation masks,  
with inflatable mask seal of silicone (WM 15481)
- Set of Rendell-Baker ventilation masks, silicone (WM 15482)
- MANUVAC suction pump (WM 10800)
- Disposable materials (WM 15483, WM 15484 and WM 15051) see page E11



**Alternative** basic equipment,  
Respiration with oxygen dosage also available in:

ULM CASE II	WM 8760
ULM CASE III	WM 8860
RESCUE-PACK	WM 9030

Refer to the price list for equipment variations.



## Complete Equipment, Respiration and oxygen dosage

RESCUE-PACK complete equipment\*, Respiration with oxygen dosage

WM 9040

### Supply Schedule:

- RESCUE-PACK, empty (WM 9000)
- Ampoule tray (WM 9015)
- Padded cover for ampoule tray (WM 9004)
- Oxygen device (WM 3608)
- Belts for O<sub>2</sub> cylinders, two pieces, (WM 15141)
- COMBIBAG Resuscitator for adults and children (WM 11000)
- Oxygen reservoir for COMBIBAG (WM 11052)
- Set of ventilation masks, with inflatable mask seal of silicone (WM 15481)
- Set of Rendell-Baker ventilation masks of silicone (WM 15482)
- MANUVAC suction pump (WM 10800)
- Belt for MANUVAC (WM 1769)
- Laryngoscope, metal, with two McIntosh tongue depressors (Sizes 1 and 3), with batteries (WM 5105)
- Set of small medical products (WM 15485)
- Disposable materials (WM 15483, WM 15484, WM 15051, WM 15075 and WM 15486) see page E11



**Alternative** complete equipment,  
Respiration with oxygen dosage also available in:

ULM CASE I	WM 8640
ULM CASE II	WM 8770
ULM CASE III	WM 8870

Refer to the price list for equipment variations.



Technical data for the transport containers are on Page E16.



## Respiration Equipment with oxygen-driven aspiration system

**ULM CASE I with complete equipment<sup>1)</sup>, Respiration with oxygen-driven aspiration system WM 5301**

**Supply Schedule:**

- ULM CASE I (WM 8840)
- Set of Respiration labels (WM 15515)
- Oxygen device (WM 3605)
- Belts for O<sub>2</sub> cylinders, 2 pieces (WM15141)
- COMBIBAG Resuscitator for adults and children (WM 11000)
- Set of ventilation masks, with inflatable mask seal of silicone (WM 15481)
- Set of Rendell-Baker ventilation masks, silicone (WM 15482)
- OMNIVAC suction equipment with 250-ml collection canister, with injector (WM 2265)
- Holder for OMNIVAC aspiration equipment (WM 8845)
- Laryngoscope, metal, with 2 McIntosh tongue depressors (Sizes 1 and 3), with batteries (WM 5105)
- Set of small medical products (WM 15485)
- Disposable materials (WM 15483, WM 15484, WM 15051, WM 15075 und WM 15486) see page E11

**ULM CASE I with basic equipment<sup>1)</sup>, Respiration with oxygen-driven aspiration system WM 5220**



## Circulation Equipment

**ULM CASE I with complete equipment<sup>1)</sup> WM 5302 (NSN<sup>2)</sup> for military use: 6545-12-336-1526**

**Supply Schedule:**

- ULM CASE I (WM 8840)
- Set of Circulation labels (WM 15525)
- Set of 3 ampoule strips, each with space for 10 ampoules (WM 15588)
- Set of additional Space Chips for Circulation equipment (WM 15445)
- Sphygmomanometer (WM 5206)
- Stethoscope (WM 5207)
- Pressure infusion unit with manometer (WM 5201)
- Set of small medical products (WM 15485)

### Alternative

complete equipment also available in:  
ULM CASE II WM 8790  
Refer to the price list for equipment variations.



1) Equipment does not include medicines and disinfectants.  
2) NSN: NATO Stock Number

## Doctor's Emergency Case

**ULM CASE III, with equipment<sup>1)</sup> that complies with DIN 13232-N WM 8855**

**Supply Schedule:**

- ULM CASE III (WM 8830)
- Set of DIN 13232 labels (WM 15510)
- Set of three ampoule strips, each with space for 11 ampoules (WM 15157)
- COMBIBAG Resuscitator for adults and children (WM 11000)
- Set of ventilation masks, with inflatable mask seal of silicone (WM 15481)
- PEEP Valve (WM 3215)
- Laryngoscope set with 3 tongue depressors (WM 5180)
- MANUVAC suction pump (WM 10800)
- Manometer with regulation valve and ball (WM 5672)
- Blood pressure cuff for adults (WM 5679)
- Blood pressure cuff for children (WM 5677)
- Stethoscope (WM 5207)
- Pressure infusion unit with gauge (WM 5201)
- Set Respiration/Circulation DIN 13232 (WM 15488/15489) see pages E11/12



**Alternative** equipment that complies with DIN 13232 also available in:

ULM CASE II WM 8755  
RESCUE-PACK WM 9050

Refer to the price list for equipment variations.



## Backpacks and Special cases

**ULM CASE Basis with complete equipment<sup>1)</sup> WM 8630**

**Supply Schedule:**

- ULM CASE Basis, empty (WM 8635)
- Oxygen device (WM 3602)
- Belt for O<sub>2</sub> cylinder (WM 8656)
- Inhalation mask with bag and hose (WM 1422)
- COMBIBAG Resuscitator for adults and children (WM 11000)
- Set of ventilation masks, with inflatable mask seal of silicone (WM 15481)
- Set of Rendell-Baker ventilation masks of silicone (WM 15482)
- Sphygmomanometer (WM 5206)
- Stethoscope (WM 5207)
- Set of small medical products (WM 15485)
- Disposable materials (WM 15483, WM 15484 and WM 15090) see pages E11/12



**Alternative** Basis or complete equipment also available in

ULM CASE Basis, basic equipment WM 8625  
RESCUE-PACK I Basis, basic equipment WM 9035  
RESCUE-PACK I Basis, complete equipment WM 9045

Refer to the price list for equipment variations.





## ULM CASE for Neonates and Infants

ULM CASE Baby with equipment\* that complies with DIN 13233-K  
WM 3692

### Supply Schedule:

- ULM CASE Baby, empty (WM 3693)
- Infant/Child resuscitator of silicone (WM 1945)
- Set of Rendell-Baker ventilation masks of silicone (WM 15482)
- PEEP valve (WM 3215)
- Laryngoscope set with two tongue depressors for children (WM 5179)
- Sphygmomanometer with one cuff for small children (WM 5671)
- Stethoscope for children (WM 5673)
- Set of DIN 13233 baby equipment (WM 15491)



## ULM CASE Dressing

ULM CASE Dressing with equipment\* that complies with DIN 14142-K  
WM 8710

### Supply Schedule:

- ULM CASE Dressing, empty (WM 8715)
- Set of dressings, DIN 14142-K (WM 15078):
  - 2 sticking plasters, A 5 x 2.5
  - 2 wound dressing sets, 1 set of plasters
  - 3 dressing packs, small, DIN 13151
  - 6 dressing packs, medium, DIN 13151
  - 6 dressing packs, large, DIN 13151
  - 20 gauze compresses 10 x 10
  - Gauze dressing VM 17-100 DIN 61630-BW
  - 4 dressing cloths, DIN 13152-BR 40 x 60 cm
  - 4 burn dressings, A DIN 13152, 80 x 60 cm
  - 2 burn dressings, B DIN 13152, 80 x 120 cm
  - 2 emergency blankets
  - 6 gauze bandages, DIN 61631-MB-8ZW/BW
  - 3 gauze bandages, DIN 61631-MB-6ZW/BW
  - 4 elastic bandages, 4 m x 8 cm
  - 4 setting bandages, DIN 61634-FB6-4M
  - 1 open-weave dressing for head and leg
  - 1 open-weave dressing for extremities
  - 2 triangular cloths D, DIN 13168
  - 1 pair of scissors DIN 58279-B 190
  - 4 eye compresses, oval, 56 x 72 mm
  - 1 First Aid brochure
  - 1 grease pencil, white
  - 5 mouth protection (fleece)
  - 5 bags of seals, 300 x 400 x 0,05 mm
  - 8 disposable gloves, large

\* Equipment does not include medicines and disinfectants.

## Paramedic-Box

Complete equipment\*

**WM 8370**

Supply Schedule:

- PARAMEDIC-BOX emergency case, empty (WM 8380)
- Ampouliarium, two-piece with ampoule strips for 28 ampoules and accessories (WM 8388)
- COMBIBAG resuscitator for adults and children (WM 11000)
- PEEP valve (WM 3215)
- Set of ventilation masks with inflatable mask seal of silicone (WM 15481)
- Set of Rendell-Baker ventilation masks of silicone (WM 15482)
- Set of oropharyngeal tubes (Guedel) (WM 15483)
- Set nasopharyngeal tubes (Wendl) (WM 15484)
- MANUVAC suction pump (WM 10800)
- Set of suction catheters (WM 15051)
- Laryngoscope, metal, with 2 McIntosh tongue depressors (Size 1 and 3), with batteries (WM 5105)
- Set of disposable tracheal tubes (WM 15075)
- Pressure infusion device with gauge (WM 5201)
- Set of small medical products (WM 15485)
- Intubation set (WM 15486)

Paramedic-Box basic equipment

**WM 8390**

Refer to the price list for equipment variations.



## Emergency backpack

Emergency backpack with equipment\* that complies with DIN 13155

**WM 9055**

Supply Schedule:

- RESCUE-PACK I, empty (WM 9060)
- COMBIBAG Resuscitator for adults and children (WM 11000)
- Resuscitation mask of silicone for adults, Size 5 (WM 5084)
- Resuscitation mask of silicone for juveniles, Size 3 (WM 5083)
- Rendell-Baker resuscitation mask of silicone for children from ages 3 to 12 years, Size 3 (WM 5063)
- MANUVAC suction pump (WM 10800)
- Belt for MANUVAC (WM 1769)
- Sphygmomanometer (WM 5206)
- Stethoscope (WM 5207)
- Accessory bag, Size S, red (WM 9005)
- Accessory bag, Size S, blue (WM 9022)
- Set of equipment for emergency backpack in accordance with DIN 13155 (WM 15490)



Equipment	Container	ULM CASES (UC)						Special cases				RESCUE-PACK (RP)				
		UC I	UC II	UC III	ULM CASE small			PARAME-DIC Box	RP I	RP I red	RP	RP red	RP red with AED window			
					Basis	Baby	Dressing Box									
Standard equipment*	Transport container, empty	8840	8730	8830	8635	3693	8715	8380	9060	9095	9000	9025	9023			
	Basic equipment, Standard	5250	8720	8820							9010					
	Complete equipment, Standard	5308	8725	8825							9020					
Respiration equipment*	Basic equipment Respiration with oxygen dosage	8620	8760	8860							9030					
	Complete equipment Respiration with oxygen dosage	8640	8770	8870							9040					
	Basic equipment Respiration with oxygen-driven aspiration system	5220														
Circulation equipment*	Complete equipment Respiration with oxygen-driven aspiration system	5301														
	Basic equipment that complies with DIN 13232 (Respiration)	3696														
	Complete equipment Circulation	5302	8790													
Doctor's emergency case with DIN 13232-N*	Basic equipment that complies with DIN 13232 (Circulation)	3697														
	Doctor's emergency case with equipment that complies with DIN 13232-N		8755	8855							9050					
	Basic equipment, Basis				8625						9035					
Special equipment*	Complete equipment, Basis				8630						9045					
	Neonates and Infants with equipment that complies with DIN 13233-K					3692										
	Dressing with equipment that complies with DIN 14142-K						8710									
Emergency backpack with equipment that complies with DIN 13155	Basic equipment PARAMEDIC-Box							8390								
	Complete equipment PARAMEDIC-Box							8370								
	Emergency backpack with equipment that complies with DIN 13155								9055							

\* Equipment does not include medicines and disinfectants.

### Set of ventilation masks with inflatable mask seal of silicone WM 15481

consists of 1 of each of the following:

- for adults, Size 5 (WM 5074)
- for children and juveniles, Size 3 (WM 5082)

### Set of Rendell-Baker ventilation masks of silicone WM 15482

consists of 1 of each of the following:

- for children, 3 – 12 years (WM 5063)
- for children, 1 – 3 years (WM 5062)
- for infants up to 1 year (WM 5061)
- for neonates (WM 5060)

### Set of oropharyngeal tubes (Guedel) WM 15483

consists of 1 of each of the following:

- for adults, Size 3
- for juveniles, Size 2
- for children, Size 1
- for small children, Size 0
- for neonates, Size 000

### Set of nasopharyngeal tubes (Wendl) WM 15484

consists of 1 of each of the following:

- Ch. 26
- Ch. 30

### Set of disposable tracheal tubes WM 15075

■ 1 of each tracheal tube with connector, without balloon:

- Ch. 10 / Ø 2.5 mm
- Ch. 16 / Ø 4.0 mm

■ 1 of each tracheal tube with connector and with balloon:

- Ch. 20 / Ø 5.0 mm
- Ch. 26 / Ø 6.5 mm
- Ch. 30 / Ø 7.5 mm

### Set of disposable suction catheters WM 15051

consists of 3 of each of the following:

- Ch. 06 / Ø 2 mm
- Ch. 10 / Ø 3 mm
- Ch. 12 / Ø 4 mm

### Set Injection WM 15090

consisting of:

- 3 disposable needles of each size: 2 ml, 5 ml, 10 ml
- 5 disposable cannula of each: Size 1 and Size 12

### Set of small medical products WM 15485

consists of 1 of each:

- Small lamp for pupil examination
- Reflex hammer
- One-hand tourniquet
- Tweezers (anatomical DIN 58238-A 145 x 2 mm)
- Tweezers (surgical DIN 58239-A 145 x 3.2 mm)
- Scissors (DIN 58252-B 145), all-purpose scissors
- tongue depressors, curved dressing
- forceps, disposable scalpel

### Intubation Set WM 15486

consists of 1 of each:

- Magill intubation forceps (small)
- Magill intubation forceps (large)
- Mouth wedge
- Blocker syringe (10 ml, disposable)
- 1 roll of adhesive tape (A5 x 2.5 DIN 13019)
- Pean clamp

### Set of disposable materials WM 15487

consists of 1 of each (if not otherwise specified):

- Dressing pack, small
- Metalliné wound dressing, small (60 x 80 mm)
- Adhesive tape, roll, 1.25 cm wide
- Emergency blanket, gold/silver
- Disposable scalpel
- 12 gauze compresses 100 x 100 mm
- 2 elastic bandages FB 8 DIN 61634
- 2 each dressing packs medium and large DIN 13151
- Burn dressing A, B + BR (DIN 13152)
- 2 triangular cloths
- Wound dressings E 1 x 6 DIN 13019
- Roll of adhesive tape, A 5 x 2.5 DIN 13019
- Sterile operating gloves, one pair of Size 7.5 and one pair of 8.5
- Disposable syringes, five each of 2 ml + 5 ml
- Disposable syringes, two each of 10 ml + 20 ml
- Disposable cannula, 10 each of Size 1 + Size 12

### Continuation Set of disposable materials

- 4 pairs of disposable gloves, packed in pairs, sterile
- 4 mouth protections with elastic band
- 1 pair of full-sized, transparent protective glasses with anti-fogging feature

### Set of Respiration equipment (DIN 13232) WM 15488

consists of:

- Suction catheters, three (3) of each:
  - Ch. 06 / Ø 2 mm
  - Ch. 10 / Ø 3 mm
  - Ch. 12 / Ø 4 mm
- 1 of each oropharyngealtubus for:
  - Adults
  - Youth
  - Children
- 1 of each nasopharyngealtubus:
  - Ch. 26
  - Ch. 30
- 1 Magill intubation forceps (large)
- 1 of each disposable tracheal tube:
  - with connector, without balloon:
    - Ch. 14 / Ø 3.5 mm
    - Ch. 16 / Ø 4.0 mm
    - Ch. 18 / Ø 4.5 mm
  - with connector, with balloon:
    - Ch. 20 / Ø 5.0 mm
    - Ch. 24 / Ø 6.0 mm
    - Ch. 28 / Ø 7.0 mm
    - Ch. 30 / Ø 7.5 mm
    - Ch. 32 / Ø 8.0 mm
    - Ch. 34 / Ø 8.5 mm
- 1 of each insertion guide for tracheal tubes:
  - Size 1 Ch. 16-20
  - Size 2 Ch. 22-30
  - Size 3 Ch. 32-46
- Blocker syringe (disposable 10 ml)
- 1 roll of adhesive tape A 5 x 2,5 DIN 13019
- 2 Pean clamps

**Set Circulation (DIN 13232)****WM 15489**

consists of 1 of each when not otherwise specified:

- Small lamp for pupil examination
- Reflex hammer
- Package of blood sugar test strips
- One hand tourniquet
- Two insertion guides for tracheal tubes each in these sizes:
  - Size 2.2 mm
  - Size 1.1 mm
  - Size 0.9 mm
- Puncture material, lengths of 5 cm and 8 cm
- 2 disposable infusion units
- Tweezers (DIN 58239-A 145 x 3.2)
- Pean clamp
- Scissors (DIN 58252-B 145)
- All-purpose scissors
- Emergency blanket (gold/silver)
- Disposable scalpel
- 12 gauze compresses 100 x 100 mm
- 2 elastic ties FB 8 DIN 61634
- Two dressing packages of each: medium and large (DIN 13151)
- One burn dressing each: A, B and BR (DIN 13152)
- 2 triangular cloths
- Wound dressing (E 1 x 6 DIN 13019)
- Roll of adhesive tape (A 5 x 2.5 DIN 13019)
- One pair each of operating gloves in Sizes 7.5 and 8.5, sterile
- Disposable syringes, five each of 2 ml + 5 ml
  - Disposable syringes, two each of 10 ml + 20 ml
- Disposable cannula, 10 each of Size 1 + Size 12
- 4 pairs of disposable gloves, packed in pairs, sterile
- 4 mouth protections with elastic band
- 1 pair of full-sized, transparent protective glasses with anti-fogging feature

**Set emergency backpack****(DIN 13155)****WM 15490**

consists of 1 each of the following when not otherwise specified:

- Two suction catheters each:
  - Ch 06
  - Ch 10
  - Ch 12
- One oropharyngeal tube for:
  - Adults
  - Youth
  - Children
- Small lamp for pupil examination
- Adhesive tape (A 5 x 2,5 DIN 13019)
- Set of wound dressings (E 10 x 6 DIN 13019)
- Bandage set
- Package of dressings DIN 13151:
  - small, 2 pieces
  - medium, 4 pieces
  - large, 2 pieces
- Dressing cloth DIN 13152 - A and BR
- 6 gauze compresses (100 x 100 mm)
- 2 eye compresses (oval)
- Emergency blanket
- 3 ties each of 8 cm + 6 cm (elastic)
- Elastic net bandages for extremities
- 2 triangular cloths,
- scissors (DIN 58279 - B 190)
- Fleece cloth (mouth protection, package of 10)
- 2 pairs of disposable gloves (each pack contains two pair)
- Splint material (Sam-Splint), 2 pieces

**Set of Baby (DIN 13233) equipment****WM 15491**

consists of 1 of each unless otherwise specified:

- 2 Baby mucous suction units
- 3 suction catheters Ø 4 mm, sterile
- Two suction catheters each in sizes:
  - Ch. 05 / Ø 1.3 mm
  - Ch. 06 / Ø 2 mm
  - Ch. 10 / Ø 3 mm
- Oropharyngeal tube for:
  - Neonates
  - Infants
  - Children
  - Youth

**Continuation Set of Baby****(DIN 13233) equipment**

- Magill intubation forceps (small)
- Tracheal tubes with connector, without balloon:
  - Ch. 8 / Ø 2.0 mm
  - Ch. 10 / Ø 2.5 mm
  - Ch. 13 / Ø 3.0 mm
  - Ch. 14 / Ø 3.5 mm
  - Ch. 16 / Ø 4.0 mm
  - Ch. 18 / Ø 4.5 mm
- Insertion guide for tracheal tubes, Size 1 Ch. 16 – 20
- Small lamp for pupil examination
- One hand tourniquet
- Wing cannula, Size 0.5 mm, Size 0.65 mm
- 2 venous indwelling catheters each, Size 0.9 mm, Size 1.0 mm
- 2 disposable infusion units
- Intra-osteal needle 15 G - 3 cm long
- Intra-osteal needle 18 G - 4 cm long
- Tweezers anatomical (DIN 58238-A 145 x 2)
- Splitter tweezers (DIN 58237-115)
- Clamp (B 125 DIN 58231)
- Scissors (DIN 58252-B 145)
- 3 emergency blankets (gold/silver)
- Disposable scalpels
- Package of dressings, M (DIN 13151)
- Burn dressings A (DIN 13152)
- Wound dressings (E 1 x 6 DIN 13019)
- Plaster strip assortment
- Roll of adhesive tape (A 5 x 2.5 DIN 13019)
- 2 elastic ties (FB 6 DIN 61634)
- 12 gauze compresses (100 x 100 mm)
- One pair each of operating gloves in Sizes 7.5 and 8.5, sterile
- Disposable syringes, five of 2 ml and three of 5 ml; one 10 ml
- Disposable cannula, 5 each of Size 17, G 24 x 1 and Size 20, G 27 x 4/5
- 4 pairs of disposable gloves, packed in pairs, sterile (DIN EN 455-1- and -2)
- 4 mouth protections with elastic band
- 1 pair of full-sized, transparent protective glasses with anti-fogging feature

**1 Laryngoscope**

**WM 5105**

metal, with 2 McIntosh tongue depressors, Sizes 1 and 3, with batteries

**2 Fiber optic laryngoscope**

**WM 5114**

with 2 MacIntosh tongue depressors, Size 1 and Size 3, with batteries



**3 Sphygmomanometer**

**WM 5206**

blood pressure measurement device

**Sphygmomanometer (not shown)**

**WM 5671**

with each 1 cuff for children and infants

**4 Stethoscope**

**WM 5207**



**5 Pressure infusion unit with gauge**

**WM 5201 (NSN<sup>1)</sup> for military use: 6515-12-311-6084)**

**Secretion hand-aspiration pump (not shown)**

**WM 2120**



1) NSN: Nato Stock Number

**Oxygen Devices**

Further connection threads are available upon request

ULM CASE Basis, Baby, Dressing Box

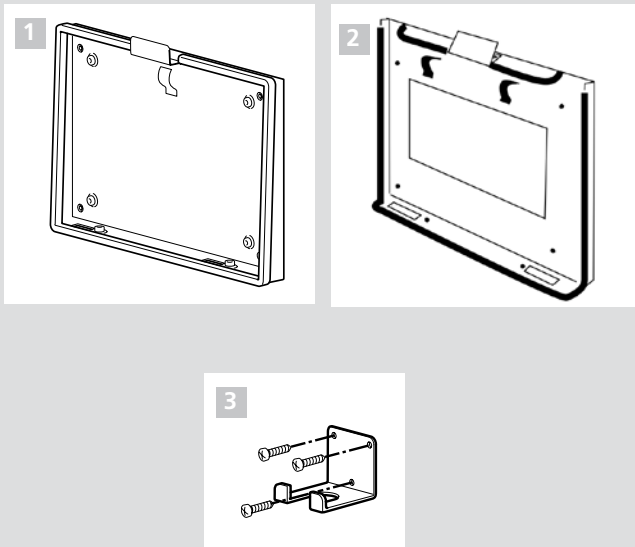
PARAMEDIC-BOX

ULM CASE I, II + III

RESCUE-PACK I

RESCUE-PACK

				ULM CASE Basis, Baby, Dressing Box	PARAMEDIC-BOX	ULM CASE I, II + III	RESCUE-PACK I	RESCUE-PACK
<b>WM 3602</b>		O <sub>2</sub> -cylinder 0.3 l	WM 1812	✓	-	-	-	-
		OXYWAY Fix I	WM 30101					
<b>WM 3675</b>		O <sub>2</sub> -cylinder 0.8 l	WM 1818	-	-	✓	✓	✓
		OXYWAY Fix I	WM 30101					
<b>WM 3607</b>		O <sub>2</sub> -cylinder 0.8 l	WM 1818	-	-	✓	✓	✓
		OXYWAY Fine I	WM 30501					
<b>WM 3605</b>		O <sub>2</sub> -cylinder 2 l	WM 1822	-	-	✓	✓	✓
		OXYWAY Fast II	WM 30851					
<b>WM 3608</b>		O <sub>2</sub> -cylinder 2 l	WM 1822	-	-	✓	✓	✓
		OXYWAY Fine I	WM 30501					



**1 Set Wall Mounting**

**WM 15347**

for case sizes 42.6 x 33.0 cm, aluminum, weight 1.8 kg, suitable for:  
 ULM CASE Baby DIN 13233-K, ULM CASE Basis, Dressing Box DIN 14142,  
 in motor vehicles, including fastening equipment

**2 Set Wall Mounting**

**WM 15370**

for case sizes 52.6 x 40.0 cm, adjustable for case depths of 17, 18, 20 and 23 cm, aluminum, weight 2 kg, in motor vehicles, including fastening equipment

**3 Set Wall Mounting**

**WM 15371**

suitable for all emergency cases in buildings, including fastening equipment

**Case Labels**

- Set of labels, Standard  
WM 15505
- Set of labels, Respiration  
WM 15515
- Set of labels, Circulation  
WM 15525
- Set of labels, Respiration DIN 13232  
WM 15520

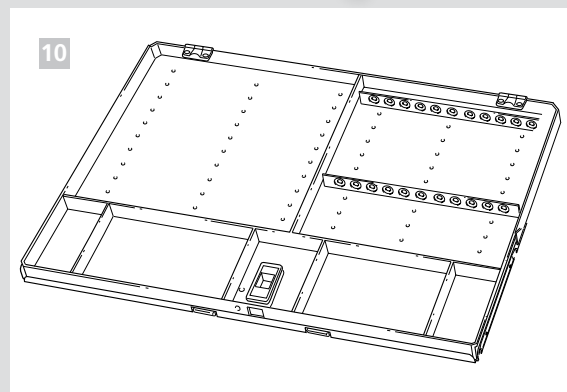
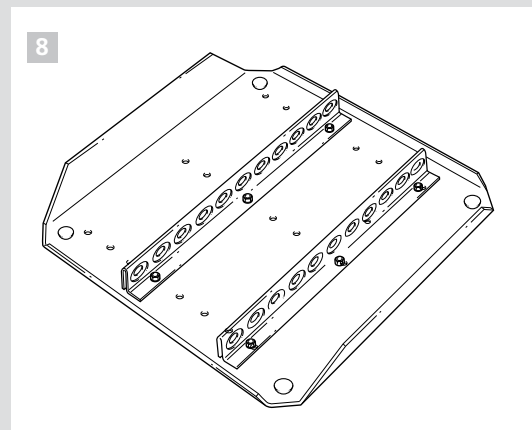
- Set of labels, Circulation DIN 13232  
WM 15530
- Set of labels, DIN 13232  
WM 15510
- Set of labels, DIN 13233-K  
WM 15008

	Reflective label, Emergency	WM 0830
	Reflective label, Circulation	WM 0833
	Reflective label, Respiration	WM 0831
	Red reflective label, "First Responder"	WM 75090
	Standard symbol, oxygen	WM 0900
	Standard symbol, put on protective gloves	WM 0970
	Standard symbol, Dressing Box	WM 0971
	Standard symbol, syringe	WM 1040
	Standard symbol, ECG	WM 1041
	Standard symbol, Intubation	WM 1042
	Standard symbol, Infusion	WM 1043

	Standard symbol, Circulation medicines	WM 1044
	Standard symbol, Respiration medicines	WM 1045
	Standard symbol, Universal medicines	WM 1046
	Standard symbol, Respiration	WM 1047
	Standard symbol, Respiration Baby	WM 1048
	Standard symbol, Cannula	WM 1070
	Standard symbol, Tube	WM 1071
	Standard symbol, Clamp	WM 1072
	Standard symbol, Poison	WM 1073
	Standard symbol, Infant, red	WM 1074
	Standard symbol, Infant, green	WM 1075

## Accessories

- 1 **Space-Chip - base divider**  
**WM 8741**  
long size (211 mm)
- 2 **Space-Chip - base divider**  
**WM 8742**  
medium size (147 mm)
- 3 **Space-Chip - base divider**  
**WM 8743**  
small size (121 mm)
- 4 **Space-Chip - top divider**  
**WM 8744**  
long size (246.5 mm)
- 5 **Space-Chip - top divider**  
**WM 8745**  
small size (105 mm)
- 6 **Space-chip - base divider**  
**WM 8739**  
medium size, with holders for oropharyngeal tubes  
**Set of Space Chips (not shown)**  
**WM 15445**  
for ULM CASE/Circulation (4 pieces)  
**Holder for oropharyngeal tubes (not shown)**  
**WM 15142**  
for infants and neonates  
**Holder for oropharyngeal tubes (not shown)**  
**WM 15143**  
for adults/juveniles/children
- 7 **Set of two beltstrap fastenings**  
**WM 15141**  
for oxygen cylinders
- 8 **Ampoule tray**  
**WM 8771**  
with two ampoule strips, each with space for 11 ampoules
- 9 **Ampoule strip**  
**WM 15140**  
220 mm long, red, with space for 11 ampoules for ULM CASE II and III and RESCUE-PACK  
**Set of ampoule strips (not shown)**  
**WM 15157**  
three pieces, each with space for 11 ampoules
- 10 **Ampoule tray**  
**WM 8803**  
with two ampoule strips, each with space for 11 ampoules, for ULM CASE III only  
**Bag for laryngoscope (not shown)**  
**WM 8775**





## Accessories

- 1 Accessory bag for RESCUE-PACK/RESCUE-BOX WM 9031**  
Size L, blue 320 x 120 x 70 mm
- 2 Accessory bag for RESCUE-PACK/RESCUE-BOX WM 9026**  
Size M, blue 250 x 120 x 70 mm
- 3 Accessory bag for RESCUE-PACK/RESCUE-BOX WM 9022**  
Size S, blue 200 x 120 x 70mm
- 4 Accessory bag for RESCUE-PACK/RESCUE-BOX WM 9028**  
Size L, red 320 x 120 x 70 mm
- 5 Accessory bag for RESCUE-PACK/RESCUE-BOX WM 9024**  
Size M, red 250 x 120 x 70 mm
- 6 Accessory bag for RESCUE-PACK/RESCUE-BOX WM 9005**  
Size S, red 200 x 120 x 70 mm
- 7 Ampoule tray WM 9015**
- 8 Padded cover WM 9004**  
for ampoule tray
- 9 Tension belt WM 1769**  
for MANUVAC
- 10 Set of two dividers WM 15524**  
for RESCUE-PACK

### Technical Data ULM CASE + Rescue Pack

	ULM CASE I	ULM CASE II	ULM CASE III	RESCUE-PACK I	RESCUE-PACK
Dimensions (W x H x D in mm)	526 x 400 x 170	526 x 400 x 200	526 x 400 x 230	310 x 520 x 230	400 x 560 x 250
Weight when empty	6.5 kg	6.7 kg	8.3 kg	2.8 kg	4.8 kg
Medicine depot	Holder for 26 ampoules	Holder <sup>1)</sup> for 33 ampoules	Cassette for 22 – 55 ampoules	Ampouarium <sup>1)</sup> for 42 ampoules	Tray for 22 ampoules
Standards utilized	DIN 13232	DIN 13232	DIN 13232	DIN 13232 DIN 13155 EN 1789	DIN 13232 EN 1789

1) Available as accessory

■ **Germany** ■ Weinmann Geräte für Medizin GmbH+Co.KG · P.O.Box 540268 · D-22502 Hamburg · Kronsaalsweg 40 · D-22525 Hamburg · E: info@weinmann.de · www.weinmann.de · T: +49-(0)40-5 47 02-0 F: +49-(0)40-5 47 02-461 ■ **Center for Production, Logistics, Service** · Weinmann Geräte für Medizin GmbH+Co.KG · Siebenstücken 14 · D-24558 Henstedt-Ulzburg · T: +49-(0)4193-88 91-0 F: +49-(0)4193-88 91-450 ■ **Switzerland** ■ G. Weinmann AG – Neuenhof · T: +41-(0)56-416 41 11 · E: info@ch.weinmann.de · www.weinmann.de ■ **France** ■ Weinmann S.A.R.L. – Paris-Igny T: +33-(0)1 69 35 53 20 · E: info@fr.weinmann.de · www.weinmann.de ■ **Asia-Pacific** ■ Weinmann Medical Technology Asia Co., Ltd. – Bangkok · T: +66-(0)2-7 45 71 70 · E: info@th.weinmann.de www.weinmann.de ■ **Australia** ■ Weinmann (Australia) Pty. Ltd. – Melbourne · T: +61-(0)3-95 43 91 97 · E: info@au.weinmann.de · www.weinmann.de ■ **New Zealand** ■ Weinmann (New Zealand) Ltd. New Plymouth T: +64-(0)6-7 59 22 10 · E: info@nz.weinmann.de · www.weinmann.de ■ **China** ■ Weinmann GmbH+Co.KG (Shanghai Rep. Office) · T: +86 21 32 26 26 98 · E: info@cn.weinmann.de www.weinmann.de