

NEW

POWERM[®] - TWINLIGHT

230 Volt systems

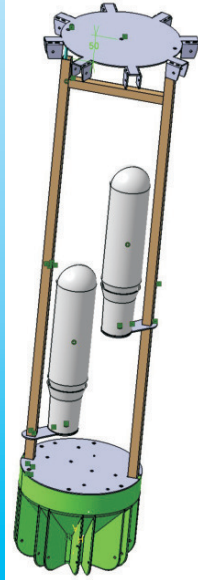
2 x 1000 W Metal halide lamp



source: Chiemsee - Light,
Biathlon - WM - 2007



- ideal for lighting wide areas
- redundant security due to 2 lightbulbs
- easy and fast set up
- glarefree and shadowreduced
- solid and robust
- approx. (ca. 60 000 square feet) of radial illuminated area
- mixing of lightbulbs possible



Construction lighting for:

- roadconstruction
- railconstruction
- excavation and underground engineering
- pit- and tunnelconstruction

Task force illumination:

- fire departments
- rescue and salvage organizations
- police
- military
- perfect lighting for ski-slopes
- temporary lighting for sports ground
- temporary lighting for parking lots



source: open cast mining, NRW

Producer:

POWERM[®] - NIUT GmbH
Ginsterstr. 5, 47495 Rheinberg,
Phone: +49 (0) 2843 / 166 99
Fax: +49 (0) 2843 / 965 16
Juergen.Noelle@Powermoon.de



www.Powermoon.de

Made in Germany



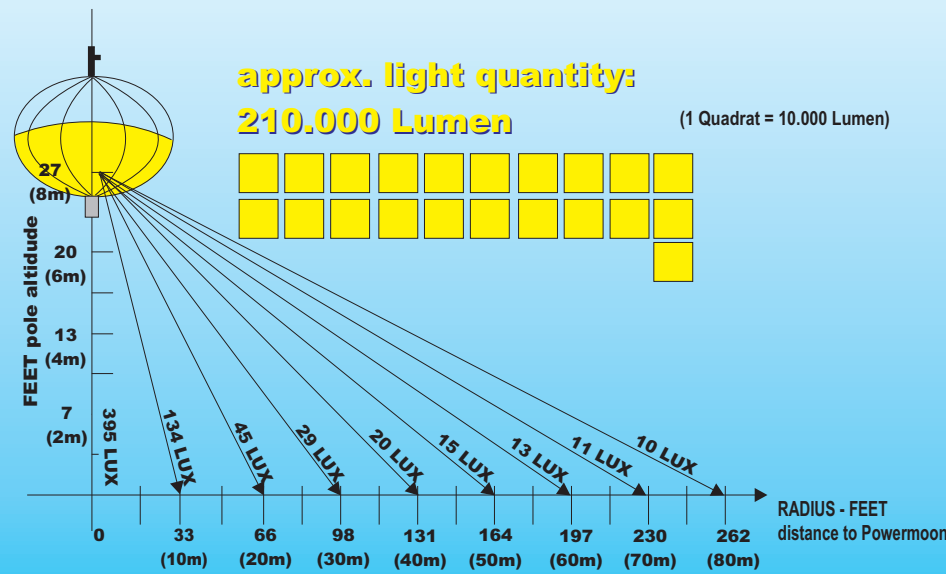
POWERMOON[®] - TWINLIGHT Produkt code TWINLIGHT

Datasheet 2 x 1000 W Metal halid lamp



Technical data:

- Power 2 x 1000 W = 2000 W
- Voltage 230V / 50
- Current 2 x ca. 7A oder 1 x 14A
- Light source E40 thread
- Metal halide lamp / metal vapour lamp
- Electr. protection class: IP 54
IP54 = use during heavy permanent rain possible
- Cord length: -from Powermoon to ballast:(10m) 33 feet
+ -from ballast to socket: (3m) 10 feet
- Weight of balloon: (15 kg) 33 lbs
- Weight of magnetic ballast (see below):



Standardversion Version B: 79 lbs (+ 36 kg)
 Version A: 2 x 26 lbs (+ 2 x 12 kg) 1 complete ballast
 2 ballasts with 2 plugs incl. 2 integrated inductors with 1 plug

Recommendation for mobile power generators

- inverter systems : min. 2.5 kVA
- simple standard-generators : min. 5.5 kVA

POWERMOON case

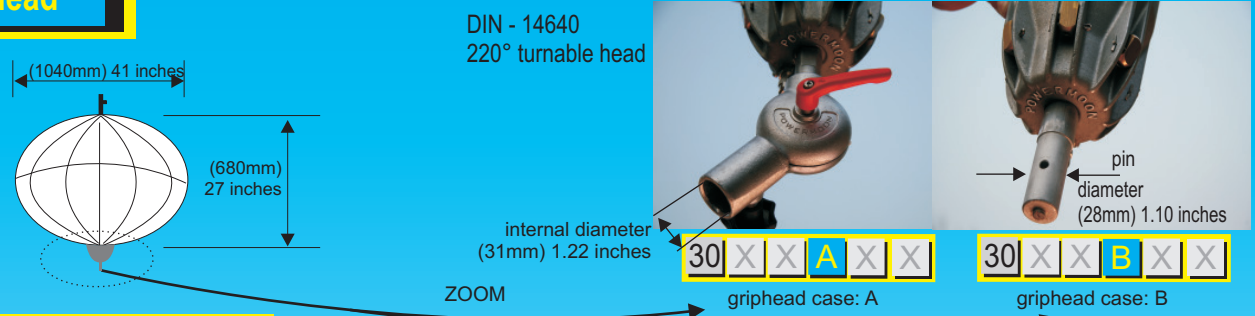
- Packaging size: Height 57.08 inches (1450mm), Diameter 9.84 inches (250mm)



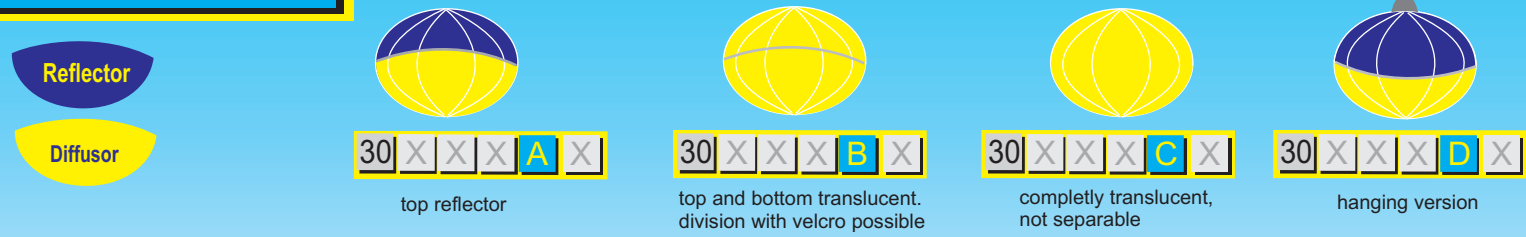
Case A: 21 lbs (+ 9,5 kg) PVC-Cylinder
 30 X X A X X X X

Case B: + 3 lbs(+1,5 kg) textile bag (like golfbag)
 30 X X B X X X X

Grip head

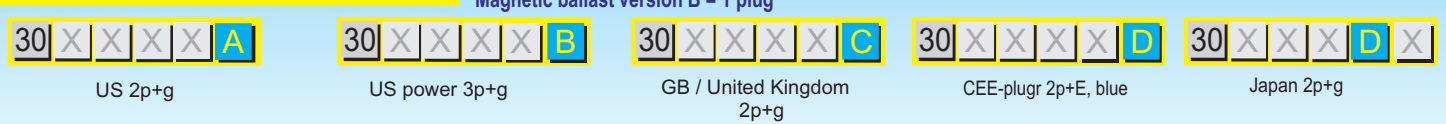


Balloon covers



Plug (Power supply) 2p+ground

Attention! Please note your choice of magnetic ballast!!
 Magnetic ballast version A = 2 plugs
 Magnetic ballast version B = 1 plug



Accessories

For accessories such as tripods, telescopic poles, POWERMOON-Mover (the portable trolley for generator, mast and POWERMOON) please see accessories data sheet.

Information on sizes and weights are subject to change with technological development.